

536 Prescal

pressure reducing valves



WRAS
APPROVED
PRODUCT

altecnic

536 Prescal pressure reducing valve

Application

Pressure reducing valves are installed in water systems to reduce and stabilise inlet pressures from mains water supplies or boosted water systems, which generally are too high and variable for domestic appliances to function correctly.

The 536 series is specially designed for hot and cold services in semi-commercial or public buildings to equalise either the hot or cold supplies or both and prevent excessive pressure at water outlets such as taps, basins, toilets, dishwashers and other appliances.

Design

The series 536 pressure reducing valves are factory set to maintain 3 bar downstream pressure. The pressure can be adjusted using a 10mm Allen key/screw driver, depending upon size.

The internal cartridge assembly can be easily removed for inspection, cleaning and maintenance operations.

The compensated seat design means that the set downstream pressure remains independent of upstream pressure variations.

An integral filter prevents debris from entering the cartridge, which may affect its performance.

The hydraulic profile of the valve makes it possible to achieve low pressure losses, even when a large number of outlets are open.

Construction Details

Component	Material	Grade
Body	DZR copper alloy	BS EN 1982 CB753S
Cover	DZR copper alloy	BS EN 12165 CW602N
Seat	Stainless steel	AISI 304
Diaphragm	Nitrile rubber	
Seals	Nitrile rubber	
Strainer screen	Stainless steel	AISI 304

Product Code	Size	Connections	Type
Series 536 Range			
536040	½"	screwed iron	M x M - with gauge port
536050	¾"	screwed iron	M x M - with gauge port
536060	1"	screwed iron	M x M - with gauge port
536070	1¼"	screwed iron	M x M - with gauge port
536080	1½"	screwed iron	M x M - with gauge port
536041	½"	screwed iron	M x M - with pressure gauge
536051	¾"	screwed iron	M x M - with pressure gauge
536061	1"	screwed iron	M x M - with pressure gauge
536071	1¼"	screwed iron	M x M - with pressure gauge
536081	1½"	screwed iron	M x M - with pressure gauge
536240	½"	screwed iron	F x F - with gauge port
536250	¾"	screwed iron	F x F - with gauge port
536260	1"	screwed iron	F x F - with gauge port
536241	½"	screwed iron	F x F - with pressure gauge
CA-536251	¾"	screwed iron	F x F - with pressure gauge
536261	1"	screwed iron	F x F - with pressure gauge

Flow Rates

BS EN 1567 recommends an average flow velocity of 2 m/s.

When sizing pressure reducing valves the flow velocity should be between 1 to 2 m/s.

Velocity	Size	½"	¾"	1"	1¼"	1½"
1 m/s	Flow rate l/min	10.6	18.9	30.0	48.3	75.8
2 m/s	Flow rate l/min	21.2	37.8	60.0	96.6	151.6

E & O.E

Altecnic Ltd Mustang Drive, Stafford, Staffordshire ST16 1GW

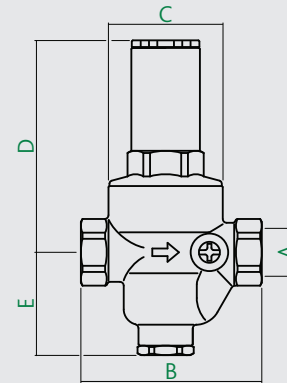
T: +44 (0)1785 218200 E: sales@altecnic.co.uk

Registered in England No: 2095101

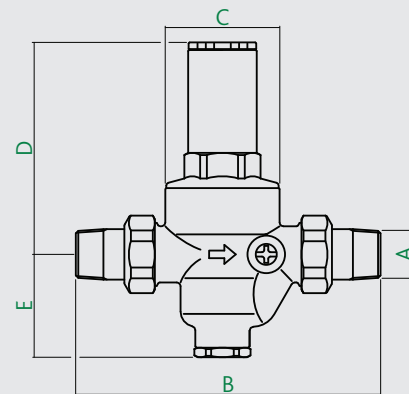
altecnic.co.uk

AL 009 26-07-11

Dimensions



Prod Code	A	B	C	D	E	kg
536240	G½	81	51	90	54	1.1
536241	G½	81	51	90	54	1.5
536250	G¾	95	60	112	54	1.52
CA-536251	G¾	95	60	112	54	1.57
536260	G1	100	60	112	54	1.53
536261	G1	100	60	112	54	1.58



Prod Code	A	B	C	D	E	kg
536040	R½	140	51	90	54	1.2
536041	R½	140	51	90	54	1.25
536050	R¾	160	60	112	54	1.6
536051	R¾	160	60	112	54	1.82
536060	R1	180	60	112	54	1.9
536061	R1	180	60	112	54	1.95
536070	R1¼	200	72	126	63	3.04
536071	R1¼	200	72	126	63	3.14
536080	R1½	220	72	126	63	3.54
536081	R1½	220	72	126	63	3.64

Technical Data

Max. inlet pressure:	25 bar
Outlet pressure setting range:	0.5 to 6 bar
Factory setting:	3 bar
Max. working pressure:	80°C
Pressure gauge range:	0 to 10 bar
Medium:	portable water
Complies with:	BS EN 1567
Acoustic group:	I